

0CNP2-M43600EN

Directions for the Parts Catalog.

1. This Parts Catalog shows both standard and optional parts.
2. Parts may change without prior notice.
3. The following is an example of the Parts Catalog format.

REF.	LEV.	PARTS NO.	DESCRIPTION	Q'TY						I	R
				(A)	(B)	(C)	(D)	(E)	(F)		
1	1	729595-51390	FUEL INJECTION PUMP	1	1	1	1	1			1
1-1	1	729595-51391	FUEL INJECTION PUMP	1	1	1	1	1		N	1
		(A=E00185) (B=E00200)									
3	2	26022-060162	SCREW M 6X 16	9	9	9	9	9			
3-1	2	26022-060162	SCREW M 6X 16	4	4	4	4	4		K	
		(A=E00156) (B=E00156) (C=E00156) (D=E00156) (E=E00156)									
4	2	129470-51040	CAMSHAFT	1	1	1	1	1			
5	2	122710-51050	BEARING, ROLLER	2	2	2	2	2			
6	2	129470-51060	RETAINER	1	1	1	1	1			

Remarks
(1) BOOST COMPEMSATOR TYPE. OPTIONAL PART, TO E00155,(4JH-DT, 4JH-DTZ

① Ref. No.

The Ref. No. listed may not be in accordance with the illustration Ref. No.

(Ex.) Illustration No.

List Ref No.

1

1

(Before change)

1-1

(After change)

For interchangeable symbols N, R and K, illustrations for new parts may be abbreviated.

② Lev. (Level)

Level indication

The numbers below indicate the level of relativity towards the main part.

1 ----- Main parts (Assembly parts)

2 ----- Sub component included in " 1 ".

3 ----- Sub component included in " 2 ".

Note) Parts that are not for sale are partially illustrated but not listed.

③ Interchangeability Symbol

When a part change takes place, one of the following interchangeability symbols is indicated beside the part.

Symbol	Interchangeability	Contents note
N	Old $\begin{matrix} \leftarrow \text{Yes} \\ \text{No} \rightarrow \end{matrix}$ New	New Part is interchangeable for Old Part but Old Part is not interchangeable for New Part.
Q	Old $\begin{matrix} \leftarrow \text{No} \\ \text{Yes} \rightarrow \end{matrix}$ New	New Part is not interchangeable for Old Part but Old Part is interchangeable for New Part.
R	Old $\begin{matrix} \leftarrow \text{Yes} \\ \text{Yes} \rightarrow \end{matrix}$ New	New/ Old Parts are both interchangeable.
S	Old $\begin{matrix} \leftarrow \text{No} \\ \text{No} \rightarrow \end{matrix}$ New	New/ Old Parts are both not interchangeable.
W		Part newly added.
Z		Part discontinued.
F		Not interchangeable by a single part but interchangeable together with related parts.
K		Changes only for used parts quantities.

④ Effective Machine No.

When a part changes, the effective Machine No. will be indicated in the (A)-(F) column.

Product Symbol	Product No.	Product Symbol	Product No.
C	Clutch No. Compressor No.	F	Machine No. (Agricultural Equip.)
D	Drive No.	M	Machine No.
E	Engine No.		

Note 1) A date may follow the symbol. (Ex.) 1996.01

Note 2) "XXXXX" and "ZZZZZ" are for parts that could not be predicted or for engine models that could not be identified.

Note 3) (A=E00185) is the E (Engine Serial Number) for the column (A) model (in this case 4JH-DT) after the parts design change.

⑤ Remarks

Figures or alphabets (symbols) are entered in the remarks column.

The comments (remarks) on parts that are indicated at the bottom of the illustration are the same symbols as those stated above.

PAINTING COLOR

SECTION	PAINTING COLOR	COLOR SPRAY	MAIN PARTS	COLOR CODE (FIGURE)
Main body	YANMAR Red 1	T:0:R-9:0:4:0:0:0:0:3	Handle frame CMP	5 0
Main body	YANMAR White	T:0:R-9:0:2:5:0:0:0:2	Handle CMP	1 4
Main body	YANMAR Plain silver M2	T:0:R-9:0:3:1:0:0:0:3	Engine frame CMP	1 9

Please surely use **YANMAR** Genuine color spray any **YANMAR** agricultural machines.

Given painting color may be altered for improvement, etc. without prior notice.

Contents

Fig. No. Fig. Name

PULLEY & TENSION SECTION

1. ENGINE MOUNTING & PULLEY
2. MAIN PULLEY & TENSION

TRANSMISSION UNIT

3. TRANSMISSION CASE
4. MAIN & COUNTER SHAFT
5. BRAKE SHAFT & REDUCTION SHAFT
6. AXLE
7. MAIN & SUB- CHANGES
8. SIDE CLUTCH

WHEEL SECTION

9. FENDER

HANDLE SECTION

10. HANDLE COLUMN(MOVE-ROUND
11. HANDLE
12. TRAVELING CONTROL LEVER

ENGINE FRAME SECTION

13. ENGINE FRAME & HITCH
14. BELT COVER
15. BONNET

Fig. No. Fig. Name

LABELS & ACCESSORIES SECTION

16. ELECTRICAL PARTS
17. LABELS
18. TOOLS
19. ACCESSORIES(ADD.ITEM)

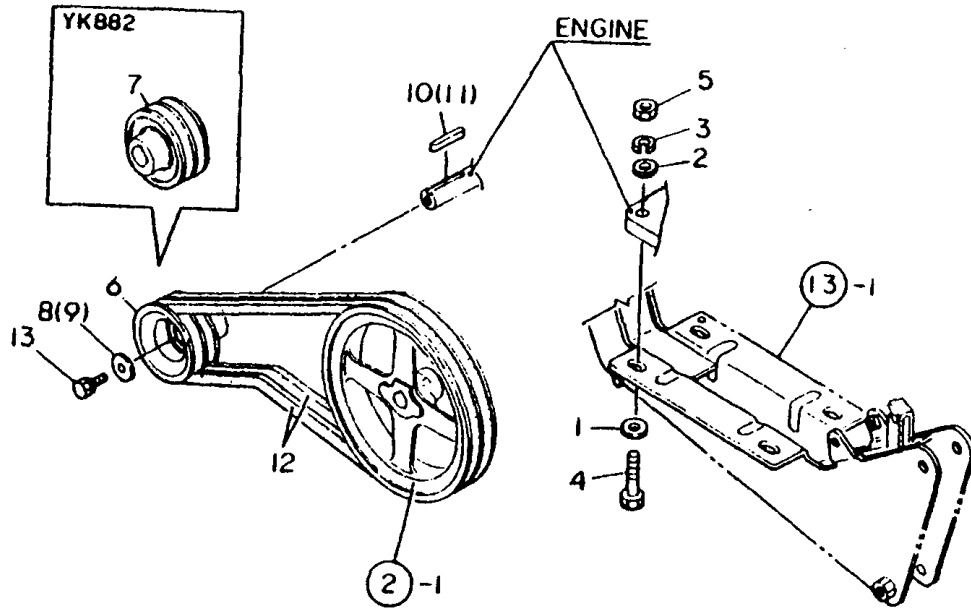
WHEEL SECTION

20. TIRE(ADD.ITEM)

LABELS & ACCESSORIES SECTION

21. LABEL (SAFETY (ADD.ITEM)

Fig.1. ENGINE MOUNTING & PULLEY

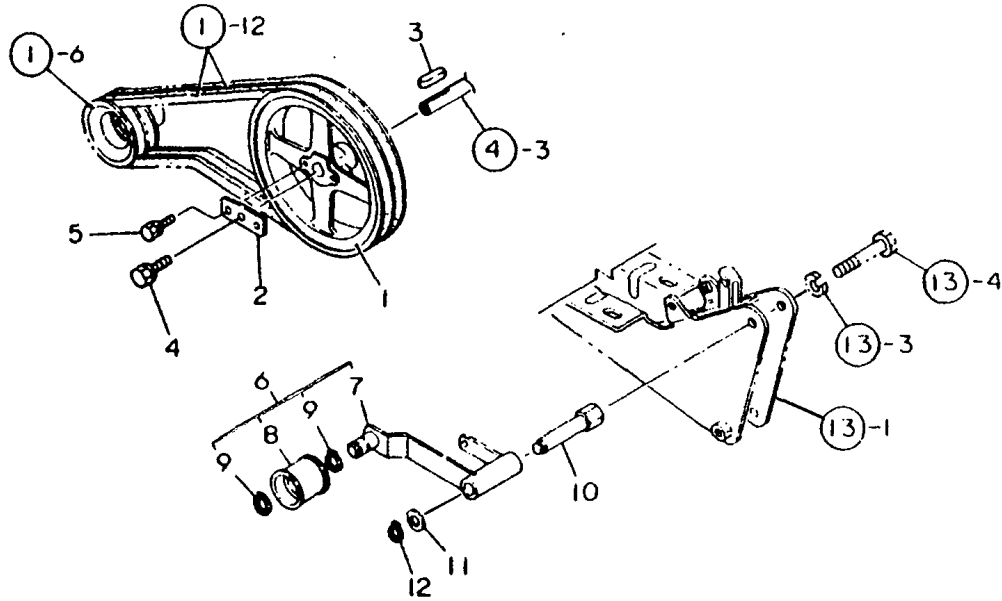


(A)=YK682
(B)=YK882
(C)=

(D)=
(E)=
(F)=

No.	Lev.	Parts No.	Description	Q'ty						I	R
				(A)	(B)	(C)	(D)	(E)	(F)		
1	1	1E4150-16060	WASHER, PULLEY	4	4						
1-1	1	1E6050-63110	COLLAR, 10.5X28X3.2 (B=F030463)		4						N
2	1	22137-080000	WASHER, 8	4	4						
2-1	1	22137-100000	WASHER, 10 (B=F030463)		4						N
3	1	22217-080000	WASHER, SPRING 8	4	4						
3-1	1	22217-100000	WASHER, SPRING 10 (B=F030463)		4						N
4	1	26116-080402	BOLT, M8X 40 PLATED	4	4						
4-1	1	26206-100452	BOLT, M10X 45 PLATED (B=F030463)		4						N
5	1	26717-080002	NUT, M8	4	4						
5-1	1	26717-100002	NUT, M10 (B=F030463)		4						N
6	1	1A2030-12000	PULLEY 75,ENGINE	1							
7	1	1A2040-12000	PULLEY 75 2,ENGINE		1						
8	1	1E6310-36190	WASHER, 8.5X35X4.5		1						
9	1	1A1040-43900	WASHER, SPRING	1							
9-1	1	1E6020-25340	SPACER, 9X28X4.5 (A=F010208)	1							R
10	1	22512-050300	KEY, 5X 30	1							
11	1	22512-070380	KEY, 7X 38		1						
12	1	25122-004201	V-BELT, A42H	2	2						
12-1	1	1A2041-12010	V BELT SA42 (A=F010208) (B=F030336)	2	2						N
13	1	26013-080202	BOLT, M8X 20	1	1						

Fig.2. MAIN PULLEY & TENSION

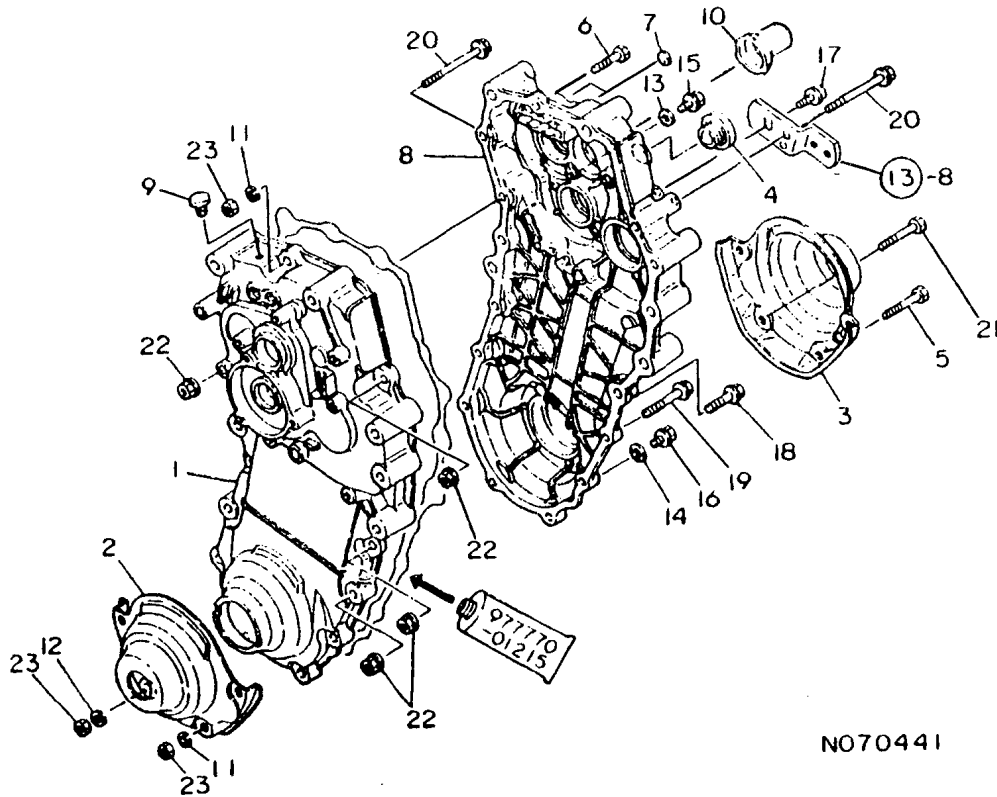


(A)=YK682
(B)=YK882
(C)=

(D)=
(E)=
(F)=

No.	Lev.	Parts No.	Description	Q'ty						I	R
				(A)	(B)	(C)	(D)	(E)	(F)		
1	1	1A1510-10000	PULLEY 185,MN.SHAFT	1	1						
2	1	1A1470-10040	CLAMP SEAT,PULLEY	1	1						
3	1	1E4070-79020	KEY 5X5X30	1	1						
3-1	1	22512-050300 (B=F030588)	KEY, 5X 30		1						N
4	1	26013-080202	BOLT, M8X 20	1	1						
5	1	26016-060124	BOLT 6X12 W/L.W.	2	2						
6	1	1A2040-13000	TENSION COMPL.	1	1						
7	2	1A2040-13010	ARM COMP.,TENSION	1	1						
8	2	1A1220-64200	ROLLER, TENSION	1	1						
9	2	22242-000150	RING, 15	2	2						
10	1	1A2040-13100	NUT,TENSION	1	1						
11	1	22117-120000	WASHER, 12	1	1						
12	1	22242-000120	RING, 12	1	1						

Fig.3. TRANSMISSION CASE



N070441

(A)=YK682
(B)=YK882
(C)=

(D)=
(E)=
(F)=

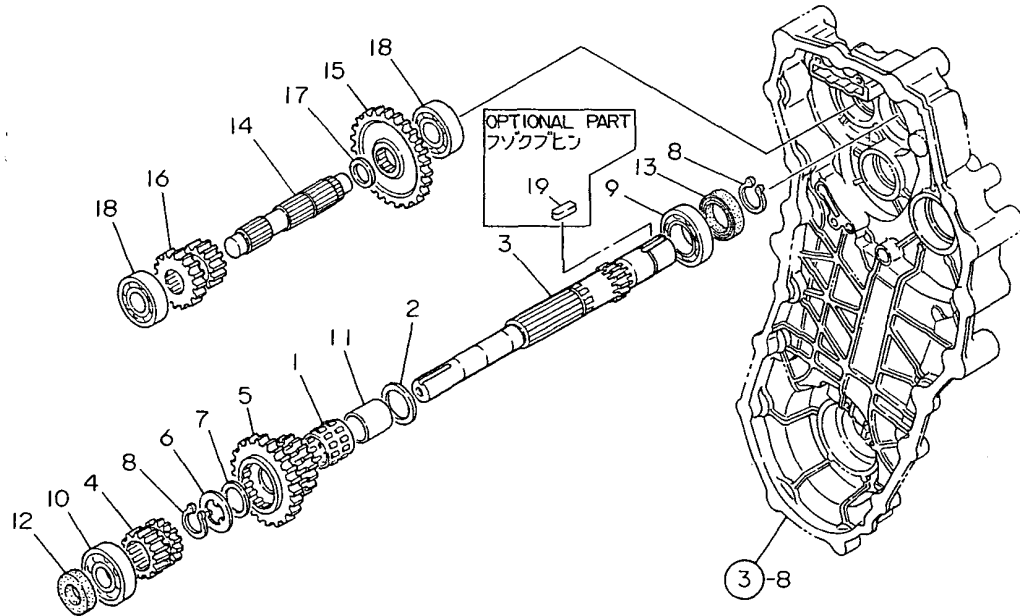
No.	Lev.	Parts No.	Description	Q'ty						I	R
				(A)	(B)	(C)	(D)	(E)	(F)		
1	1	1A1560-20001	CASE L,TRANSMISSION	1	1						
1-1	1	1A1560-20002	CASE L,TRANSMISSION	1	1						N
		(A=F010306)	(B=F030413)								
2	1	1A1490-20050	COVER L,PROTECTIVE	1	1						
3	1	1A1490-20070	COVER R,PROTECTIVE	1	1						
4	1	1A1470-20090	CAP 35,OIL FILLER	1	1						
5	1	1A1490-20610	REAMER BOLT 8X45	1	1						
6	1	1A1470-20620	REAMER BOLT 8X35	1	1						
7	1	1A1470-20940	CAP 16	2	2						
8	1	1A1560-20011	CASE R,TRANSMISSION	1	1						
8-1	1	1A1560-20012	CASE R,TRANSMISSION	1	1						N
		(A=F010306)	(B=F030413)								
9	1	1A1070-28160	BREATHER, 10	1	1						
10	1	1A1220-28290	CAP, PTO	1	1						
11	1	22217-080000	WASHER, SPRING 8	2	2						
12	1	22217-080000	WASHER, SPRING 8	3	3						
13	1	23414-060000	GASKET, 6X1.0	1	1						
14	1	23414-080000	GASKET, 8X1.0	1	1						
15	1	26107-060122	BOLT M 6X 12 PLATED	1	1						
16	1	26107-080122	BOLT M 8X 12 PLATED	1	1						
17	1	26107-080162	BOLT M 8X 16 PLATED	1	1						
18	1	26107-080302	BOLT M 8X 30 PLATED	2	2						
19	1	26107-080502	BOLT M 8X 50 PLATED	1	1						
20	1	26107-080802	BOLT M 8X 80 PLATED	2	2						
21	1	26116-080452	BOLT, M8X 45 PLATED	3	3						
22	1	26367-080002	NUT, M8	5	5						
23	1	26717-080002	NUT, M8	5	5						

Remarks

*P/# 7A2049-21000,TRANSMISSION ASSY.

N:Old $\begin{matrix} \text{Yes} \\ \text{No} \end{matrix}$ New, Q:Old $\begin{matrix} \text{No} \\ \text{Yes} \end{matrix}$ New, R:Old $\begin{matrix} \text{Yes} \\ \text{No} \end{matrix}$ New, S:Old $\begin{matrix} \text{No} \\ \text{Yes} \end{matrix}$ New, W:Add, Z:Discontinued, F:Interchangeable by set, K:Q'ty Change

Fig.4. MAIN & COUNTER SHAFT



N070442

(A)=YK682
(B)=YK882
(C)=

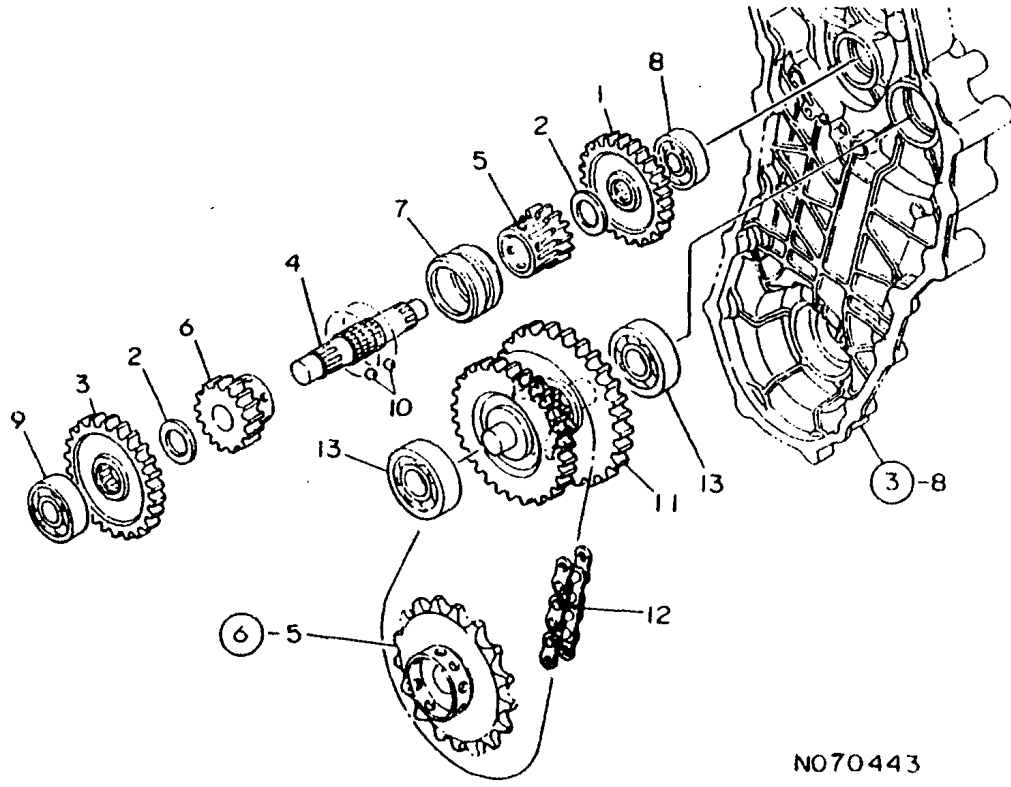
(D)=
(E)=
(F)=

No.	Lev.	Parts No.	Description	Q'ty						I	R
				(A)	(B)	(C)	(D)	(E)	(F)		
1	1	1A1490-20180	NEEDLE K253026	1	1						
2	1	1A1490-20191	WASHER 20X36X1.6	1	1						
3	1	1A1499-23000	SHAFT,MAIN	1	1						
4	1	1A2040-23010	GEAR 13	1	1						
4-1	1	1A2040-23011	GEAR 13 (B=F030588)		1						N
5	1	1A2040-23030	GEAR 24X31	1	1						
6	1	1A2040-23050	WASHER 27.5,TARUST	1	1						
7	1	1A2040-23060	LINER 20X27.5X1	1	1						
8	1	22242-000200	RING, 20	2	2						
9	1	24101-062044	BEARING, BALL 6204	1	1						
10	1	24101-063034	BEARING, BALL 6303	1	1						
11	1	24163-205265	RING, INNER 202526.5	1	1						
12	1	24421-173208	SEAL, OIL TC173208	1	1						
13	1	24421-203508	SEAL, OIL TC203508	1	1						
14	1	1A1490-20201	SHAFT,COUNTER	1	1						
15	1	1A1490-20210	GEAR 36	1	1						
16	1	1A1510-20221	GEAR 19X15	1	1						
16-1	1	1A1510-20222	GEAR 19X15 (B=F030588)		1						N
17	1	1A1120-43600	LINER, 20X25X1	1	1						
18	1	24101-062034	BEARING, BALL 6203	2	2						
19	1	22550-050201	KEY, 5X 20 (A=F010036) (B=F010058)	1	1						W 1

Remarks

(1) IT IS AN ATTACHED PART.

Fig.5. BRAKE SHAFT & REDUCTION SHAFT

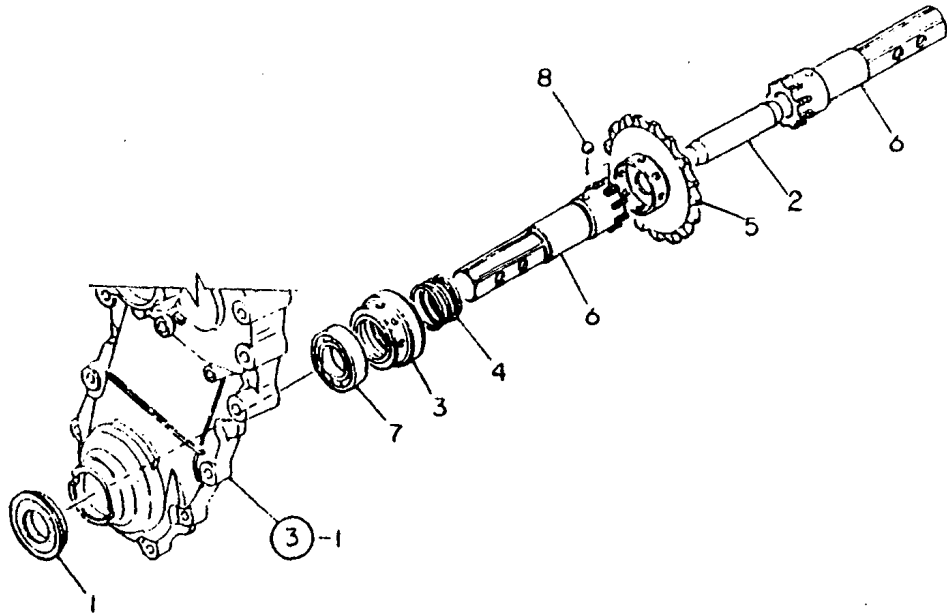


(A)=YK682
(B)=YK882
(C)=

(D)=
(E)=
(F)=

No.	Lev.	Parts No.	Description	Q'ty						I	R
				(A)	(B)	(C)	(D)	(E)	(F)		
1	1	1A1490-20310	GEAR 33	1	1						
2	1	1A1105-23200	LINER 30X20.2X1	2	2						
3	1	1A2040-23210	GEAR 44	1	1						
4	1	1A1811-23600	SHAFT,INTERMEDIATE	1	1						
5	1	1A1811-23620	GEAR 13,BALL CLUTCH	1	1						
6	1	1A1811-23630	GEAR 18	1	1						
7	1	1A1811-23640	DOG 18X13	1	1						
7-1	1	1A1811-23641 (B=F030588)	DOG 18X13		1						N
7-2	1	1A1811-23642 (B=F030613)	DOG 18X13		1						N
8	1	24101-063024	BEARING, BALL 6302	1	1						
9	1	24101-063034	BEARING, BALL 6303	1	1						
10	1	24190-070001	BALL, STEEL 7/32	12	12						
11	1	1A2049-20400	SHAFT COMPL,FINAL	1	1						
12	1	1A1560-24200	CHAIN 3/4X46	1	1						
13	1	24101-063044	BEARING, BALL 6304	2	2						

Fig.6. AXLE

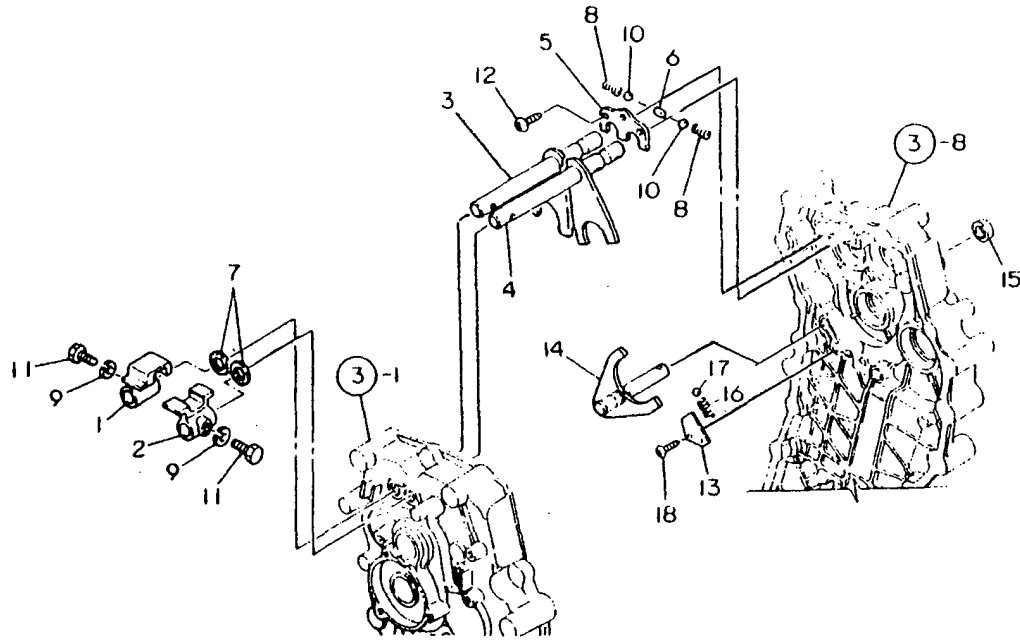


(A)=YK682
(B)=YK882
(C)=

(D)=
(E)=
(F)=

No.	Lev.	Parts No.	Description	Q'ty						I	R
				(A)	(B)	(C)	(D)	(E)	(F)		
1	1	1A1470-20530	OIL SEAL 305212	2	2						
2	1	1A1470-20560	CORE,AXLE	1	1						
3	1	1A1470-20570	SHIFTER	2	2						
4	1	1A1470-20580	SPRING 41.2X26	2	2						
5	1	1A1490-20590	SPROCKET 17,AXLE	1	1						
6	1	1A2049-24000	AXLE	2	2						
7	1	24101-062064	BEARING, BALL 6206	2	2						
8	1	24190-100001	BALL, STEEL 5/16	18	18						

Fig.7. MAIN & SUB- CHANGES

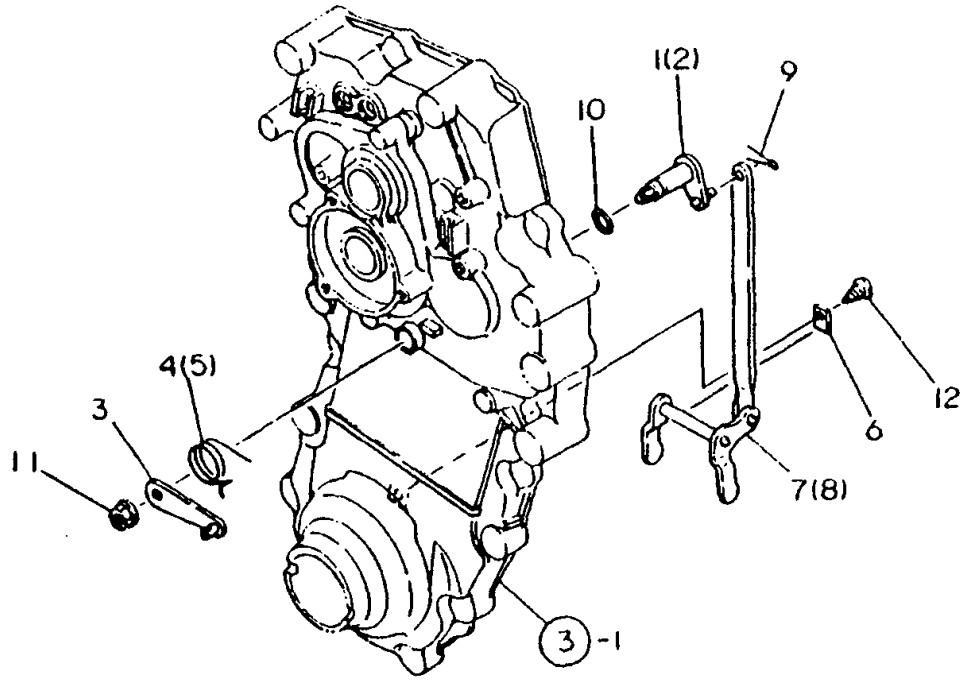


(A)=YK682
(B)=YK882
(C)=

(D)=
(E)=
(F)=

No.	Lev.	Parts No.	Description	Q'ty						I	R
				(A)	(B)	(C)	(D)	(E)	(F)		
1	1	1A1470-20832	BRACKET A,CHG.LEVER	1	1						
2	1	1A1470-20842	BRACKET	1	1						
3	1	1A1490-20853	SHAFT A COMPL.,FORK	1	1						
4	1	1A1490-20883	SHAFT B COMPL.,FORK	1	1						
5	1	1A1490-20950	RETNR.PLATE A,BALL	1	1						
6	1	1A1105-27050	PIN,CHG.FORK SHAFT	1	1						
7	1	1A1104-28230	OIL SEAL 12184	2	2						
8	1	1E6150-56040	SPRING, FORK	2	2						
9	1	22217-060000	WASHER, SPRING 6	2	2						
10	1	24190-100001	BALL, STEEL 5/16	2	2						
11	1	26117-060142	BOLT M 6X 14 PLATED	2	2						
12	1	26476-060142	SCREW, TAPPING M6X14	3	3						
13	1	1A1490-20960	RETNR.PLATE B,BALL	1	1						
14	1	1A2049-27100	SHAFT C COMP.,FORK	1	1						
14-1	1	1A2049-27101	SHAFT C COMP.,FORK								N
(B=F030613)											
15	1	1A1104-28230	OIL SEAL 12184	1	1						
16	1	1E6150-56040	SPRING, FORK	1	1						
17	1	24190-100001	BALL, STEEL 5/16	1	1						
18	1	26476-060142	SCREW, TAPPING M6X14	2	2						

Fig.8. SIDE CLUTCH

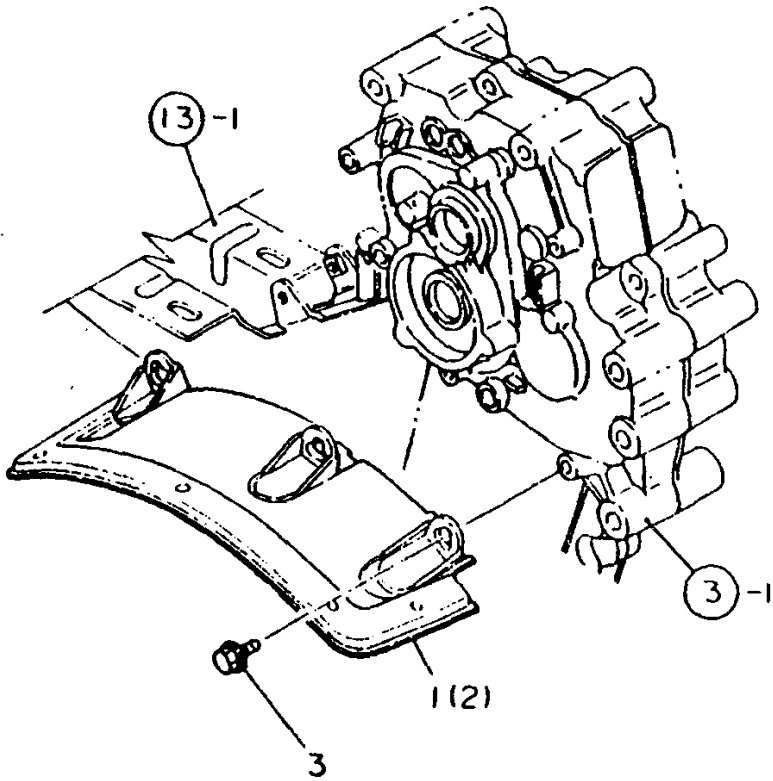


(A)=YK682
(B)=YK882
(C)=

(D)=
(E)=
(F)=

No.	Lev.	Parts No.	Description	Q'ty						I	R
				(A)	(B)	(C)	(D)	(E)	(F)		
1	1	1A1490-20751	SHAFT L CMP,SD.CLTCH	1	1						
2	1	1A1490-20761	SHAFT R CMP,SD.CLTCH	1	1						
3	1	1A1105-24490	PLATE,CLTCH.OUTR.ARM	2	2						
3-1	1	1A2050-24500 (B=F030588)	ARM, CLUTCH		2						N
4	1	1A1580-26030	SPRING, TORQUE 20.5L	1	1						
5	1	1A1580-26040	SPRING, TORQUE 20.5R	1	1						
6	1	1E4440-26200	PLATE, RETAINER	2	2						
7	1	1A1811-27250	FORK L CMP.,SD.CLTCH	1	1						
8	1	1A1811-27300	FORK R CMP.,SD.CLTCH	1	1						
9	1	22417-200120	COTTER PIN 2.0X12	2	2						
10	1	24311-000100	O-RING, 1AP10.0	2	2						
11	1	26367-080002	NUT, M8	2	2						
12	1	26476-060142	SCREW, TAPPING M6X14	2	2						

Fig.9. FENDER



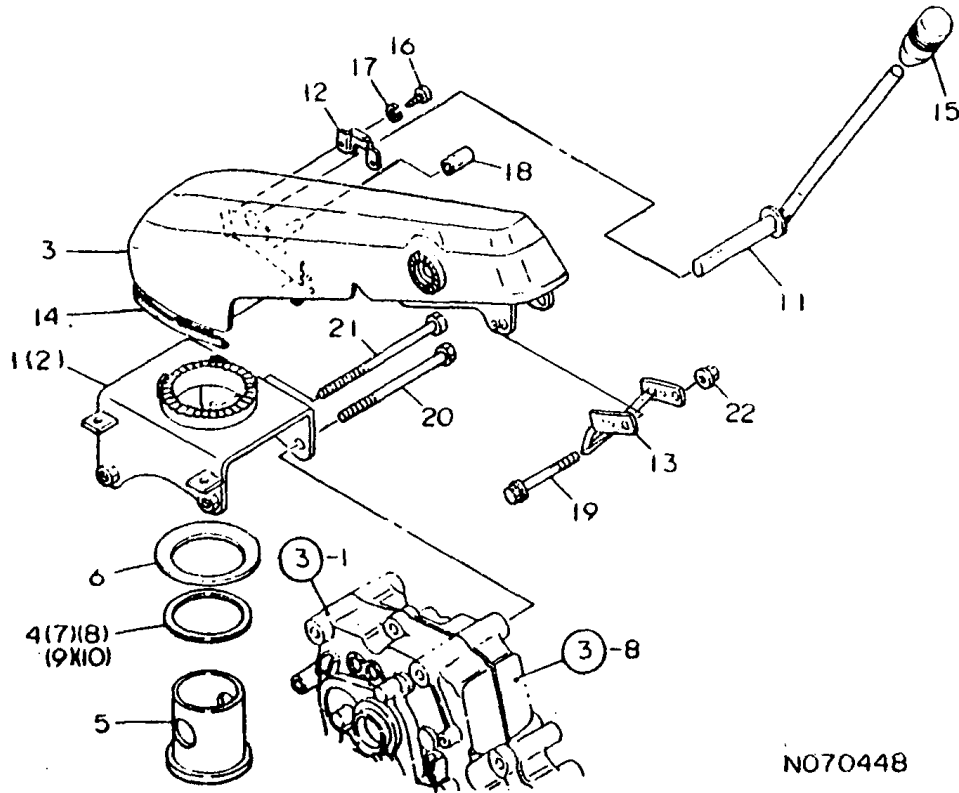
N070447

(A)=YK682
(B)=YK882
(C)=

(D)=
(E)=
(F)=

No.	Lev.	Parts No.	Description	Q'ty						I	R
				(A)	(B)	(C)	(D)	(E)	(F)		
1	1	1A2040-32100-1	FENDER L COMPL.	1	1						
2	1	7A2049-32110	FENDER R PLAS.	1	1						
3	1	26107-080122	BOLT M 8X 12 PLATED	6	6						

Fig.10. HANDLE COLUMN(MOVE-ROUND



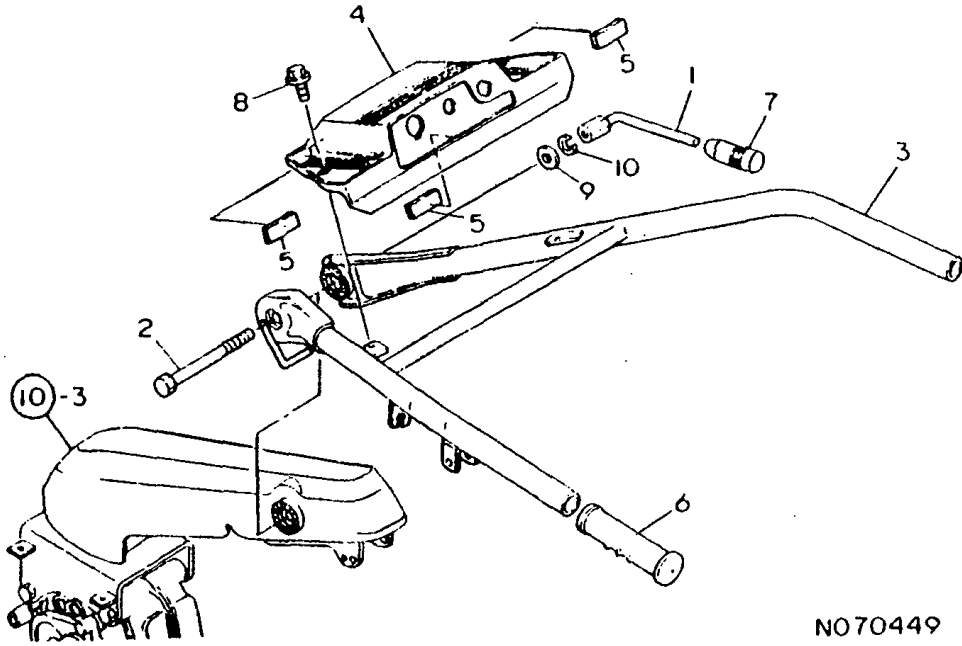
N070448

(A)=YK682
(B)=YK882
(C)=

(D)=
(E)=
(F)=

No.	Lev.	Parts No.	Description	Q'ty						I	R
				(A)	(B)	(C)	(D)	(E)	(F)		
1	1	7A2039-51000	BRACKET PLAS.	1							
2	1	7A2049-51000	BRACKET PLAS.		1						
3	1	7A2049-51100	HNDL.FRAME PLAS.	1	1						
4	1	1A2040-51190	SHIM 66X82X1	1	1						
5	1	1A2040-51250	METAL,MOVE-RD.CORE	1	1						
6	1	1A2040-51280	SPRING 94,BELLEVILLE	1	1						
7	1	1A2040-51310	SHIM 66X82X0.9	1	1						
8	1	1A2040-51320	SHIM 66X82X0.8	1	1						
9	1	1A2040-51330	SHIM 66X82X0.7	1	1						
10	1	1A2040-51340	SHIM 66X82X0.2	1	1						
11	1	1A2040-51350	LEVER COMP.,MOVE-RD.	1	1						
12	1	1A2000-51450	PLATE,MV-RD.LVR.CHK.	1	1						
13	1	1A2040-51800	GUARD COMP.,WIRE	1	1						
14	1	1A2040-51900	MOLDINGS,HNDL.FRAME	1	1						
15	1	1E6570-65751	GRIP, LEVER	1	1						
16	1	1A1750-90050	SCREW 5X10,TAPPING	2	2						
17	1	1A1750-90110	WASHER 5,SPRING	2	2						
18	1	23061-070015	PIPE, 7X 15	1	1						
19	1	26107-080702	BOLT M 8X 70 PLATED	1	1						
20	1	26116-101302	BOLT, M10X130 PLATED	1	2						
21	1	26116-101502	BOLT, M10X150 PLATED	1							
22	1	26367-080002	NUT, M8	1	1						

Fig.11. HANDLE



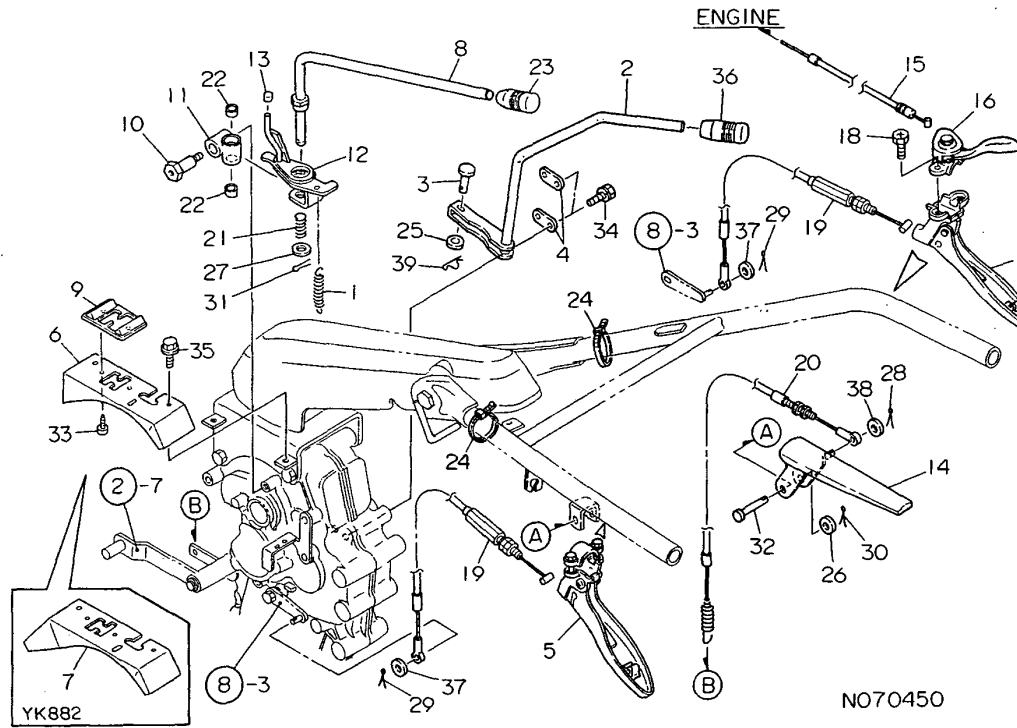
N070449

(A)=YK682
(B)=YK882
(C)=

(D)=
(E)=
(F)=

No.	Lev.	Parts No.	Description	Q'ty						I	R
				(A)	(B)	(C)	(D)	(E)	(F)		
1	1	1A2000-51400	LEVER CMP.,HANDLE LC	1	1						
2	1	1A2000-51430	BOLT 12X125	1	1						
3	1	1A2049-51500	HANDLE ASSY	1	1						
4	1	1A1822-51850	COVER HANDLE	1	1						
5	1	1A2040-51870	MOLDINGS,SOFT	3	3						
6	1	192040-56220	GRIP,HANDLE	2	2						
7	1	1E6570-65751	GRIP, LEVER	1	1						
8	1	1A2040-90100	BOLT 6X12 W/PL.WSHR.	2	2						
9	1	22137-120000	WASHER, 12	1	1						
10	1	22217-120000	WASHER, SPRING 12	1	1						

Fig.12. TRAVELING CONTROL LEVER

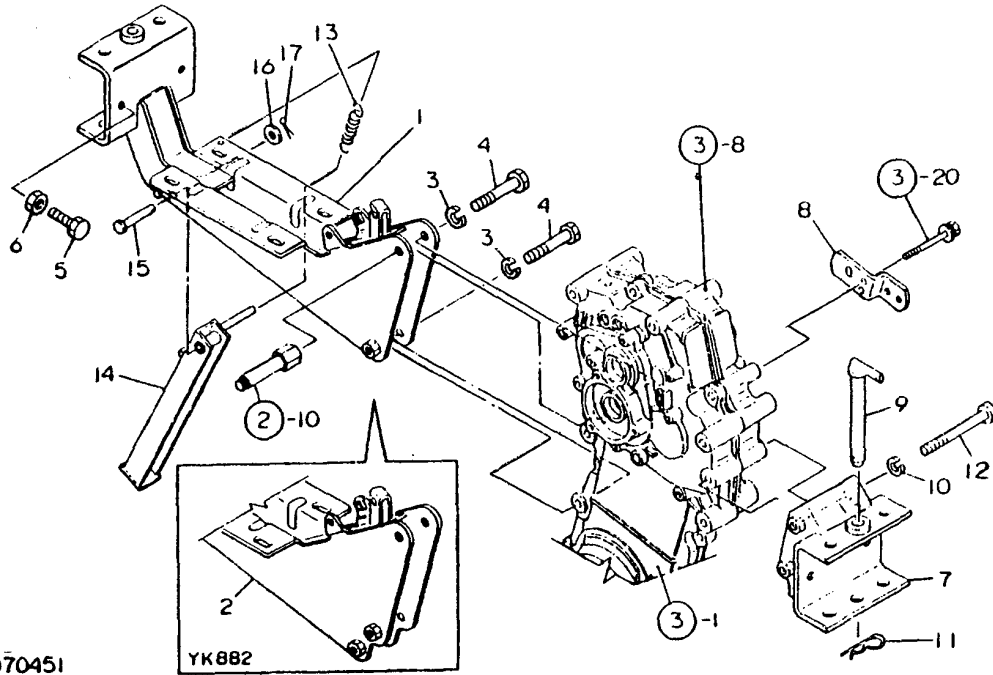


(A)=YK682
(B)=YK882
(C)=

(D)=
(E)=
(F)=

No.	Lev.	Parts No.	Description	Q'ty						I	R
				(A)	(B)	(C)	(D)	(E)	(F)		
1	1	1A1470-50200	SPRING 10X76	1	1						
2	1	1A2049-55250	LEVER Cmpl.,SUB-CHG.	1	1						
3	1	1A1490-50310	PIN 6X26	1	1						
4	1	1A1490-50340	SPRING,CHANGE LEVER	2	2						
5	1	7C6220-52840	LEVER ASSY, CLUTCH L	1	1						
6	1	1A2030-55050	COVER COMP.,CHANGE	1							
6-1	1	1A2031-55050	COVER COMP.,CHANGE	1							R
		(A=F010066)									
7	1	1A2040-55050	COVER COMP.,CHANGE		1						
7-1	1	1A2050-55050	COVER COMP.,BELT		1						R
		(B=F030098)									
8	1	1A2040-55101	LEVER COMP.,CHANGE	1	1						
9	1	1A2040-55120	BASE COMP.,CHG.LABEL	1	1						
9-1	1	1A2040-55121	BASE COMP.,CHG.LABEL	1	1						R
		(A=F010143) (B=F030204)									
10	1	1A2040-55150	PIN,CHG.LVR.FULCRUM	1	1						
11	1	1A2000-55160	FULCRUM CMP,CHG.LVR.	1	1						
12	1	1A2040-55200	PLATE COMP.,CHANGE	1	1						
12-1	1	1A2040-55201	PLATE COMPL.,CHANGE	1	1						N
		(A=F010066) (B=F030098)									
13	1	1A2040-55350	CAP,CHANGE SHAFT	1	1						
14	1	1A2009-55400	LEVER COMP.,DEADMAN	1	1						
15	1	1A2040-54251	WIRE,ACCELERATOR	1	1						
16	1	1A1479-55790	ACCELERAT.LEVER	1	1						
17	1	7C6220-52910	LEVER ASSY, CLUTCH R	1	1						
18	1	1A2049-57430	BOLT M 6X 25	2	2						
19	1	1A1811-55700	WIRE,SIDE CLUTCH	2	2						
20	1	1A2049-55700	WIRE COMP.,MN.CLUTCH	1	1						
20-1	1	1A2049-55701	WIRE COMP.,MN.CLUTCH	1	1						N
		(A=F010036) (B=F010058)									
21	1	1A1104-56030	SPRING,CHANGE LEVER	1	1						
22	1	1A1105-57151	METAL,CHANGE LEVER	2	2						
23	1	1E6570-65751	GRIP, LEVER	1	1						
24	1	1E6102-84970	BAND 140,WIRE LOCK	2	2						
25	1	22137-060000	WASHER, 6	1	1						
26	1	22137-080000	WASHER, 8	1	1						
27	1	22137-120000	WASHER, 12	1	1						
28	1	22417-160100	COTTER PIN 1.6X10	1	1						
29	1	22417-200120	COTTER PIN 2.0X12	2	2						
30	1	22417-200150	PIN, COTTER 2.0X15	1	1						
31	1	22417-200180	COTTER PIN 2.0X18	1	1						
32	1	22487-080400	PIN, H 8X 40	1	1						
33	1	22857-400080	SCREW, 4X 8	2	2						
34	1	26016-060122	BOLT, M6X 12	4	4						
35	1	26107-080122	BOLT M 8X 12 PLATED	2	2						
36	1	1E6570-65761	GRIP,CONT.LEVER RED	1	1						
37	1	22137-060000	WASHER, 6	2	2						
38	1	22137-060000	WASHER, 6	1	1						
39	1	22360-060000	PIN, SNAP 6	1	1						

Fig.13. ENGINE FRAME & HITCH



NO70451

(A)=YK682
(B)=YK882
(C)=

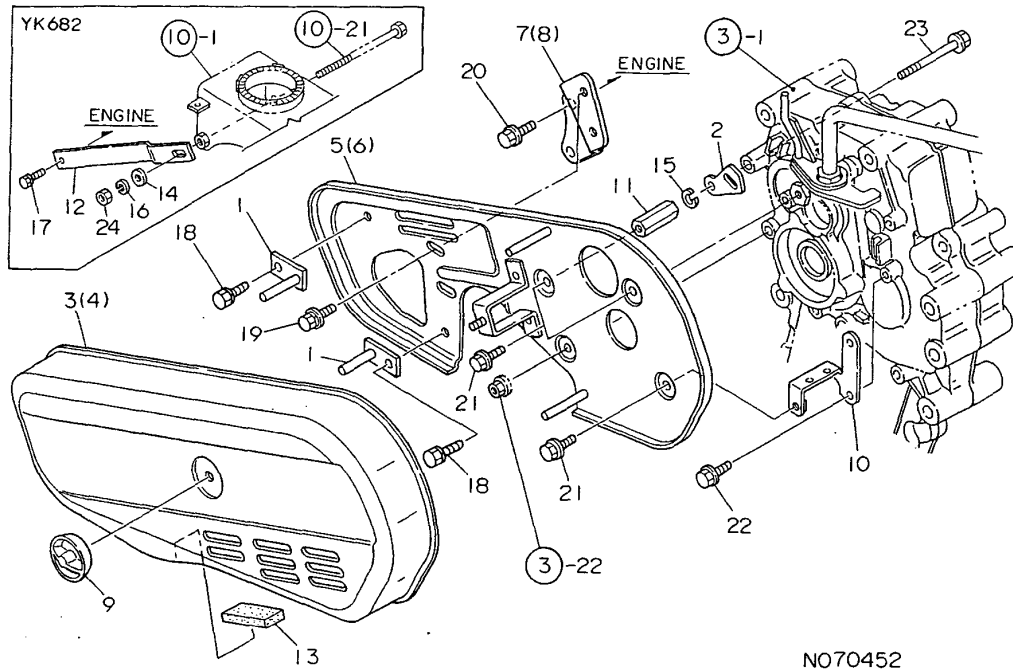
(D)=
(E)=
(F)=

No.	Lev.	Parts No.	Description	Q'ty						I	R
				(A)	(B)	(C)	(D)	(E)	(F)		
1	1	1A2030-61000	FRAME COMP.,ENGINE	1							
2	1	1A2040-61000	FRAME COMP.,ENGINE		1						
3	1	22217-120000	WASHER, SPRING 12	2	2						
4	1	26116-120602	BOLT, M12X 60 PLATED	2	2						
5	1	26117-120252	BOLT M12X 25 PLATED	2	2						
6	1	26757-120002	NUT, LOCK M12	2	2						
7	1	1A2040-61401-1	HITCH COMPL.	1	1						
7-1	1	1A2049-61400 (B=F030413)	HITCH		1						N 1
8	1	1A2040-61450	MOUNT COMP.,CHG.CASE	1	1						
9	1	1A1040-81100	PIN, HITCH	1	1						
9-1	1	1A2049-61700 (B=F030413)	PIN HITCH 160		1						N 1
10	1	22217-120000	WASHER, SPRING 12	2	2						
11	1	22360-160000	PIN, SNAP 16	1	1						
11-1	1	1A2860-61450 (A=FXXXXXX) (B=FXXXXXX)	SNAP PIN 16	1	1						N
12	1	26116-121002	BOLT, M12X100 PLATED	2	2						
13	1	1A1105-16001	SPRING,MN.CLTCH LVR.	1	1						
14	1	1A2060-61501	STAND COMPL.	1	1						
15	1	1A1120-62060	PIN, FULCRUM	1	1						
16	1	22137-080000	WASHER, 8	1	1						
17	1	22417-200180	COTTER PIN 2.0X18	1	1						

Remarks

(1)REF.NOS. 7-1 & 9-1 ARE EXCLUSIVE PARTS FOR THE YK882G(GREECE).

Fig.14. BELT COVER



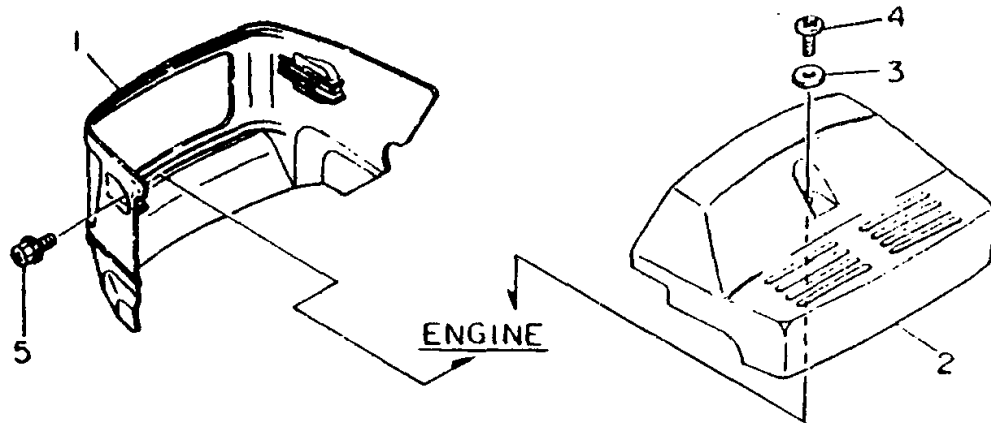
NO70452

(A)=YK682
(B)=YK882
(C)=

(D)=
(E)=
(F)=

No.	Lev.	Parts No.	Description	Q'ty						I	R
				(A)	(B)	(C)	(D)	(E)	(F)		
1	1	1A1810-10401	RETAINER COMP.,BELT	2	2						
2	1	1A2040-13250	RETAINER,CLUTCH WIRE	1	1						
3	1	1A2030-62000	COVER,BELT	1							
3-1	1	7A2039-62000 (A=F010336)	COVER,BELT PLAS.	1							N
4	1	1A2040-62000	COVER,BELT		1						
4-1	1	7A2049-62000	COVER,BELT PLAS.		1						N
5	1	1A2030-62101	COVER COMP.,BACK	1							
6	1	1A2040-62101	COVER COMP.,BACK		1						
7	1	1A2030-62150	STAY COMP.,ENGINE	1							
8	1	1A2040-62150	STAY COMP.,ENGINE		1						
9	1	1A2000-62300	KNOB,BELT COVER	1	1						
10	1	1A2040-62300	STAY,MOUNTING	1	1						
11	1	1A2040-62400	NUT 8X45	1	1						
12	1	1A2030-62500	STIFFENER	1							
12-1	1	1A2030-62501 (A=F010036)	STIFFENER	1							N
13	1	1A2020-83330	SEAT, 15X5X50	1	1						
14	1	22137-100000	WASHER, 10	1							
15	1	22217-080000	WASHER, SPRING 8	1	1						
16	1	22217-100000	WASHER, SPRING 10	1							
17	1	26013-080164	BOLT M 8X 16	1							
18	1	26016-080124	BOLT M 8X 12	2	2						
19	1	26018-080164	BOLT M 8X 16	2	2						
20	1	26107-080162	BOLT M 8X 16 PLATED	2	2						
21	1	26107-080162	BOLT M 8X 16 PLATED	3	3						
22	1	26107-080162	BOLT M 8X 16 PLATED	2	2						
23	1	26107-080852	BOLT, M8X 85 PLATED	1	1						
24	1	26717-100002	NUT, M10	1							

Fig.15. BONNET

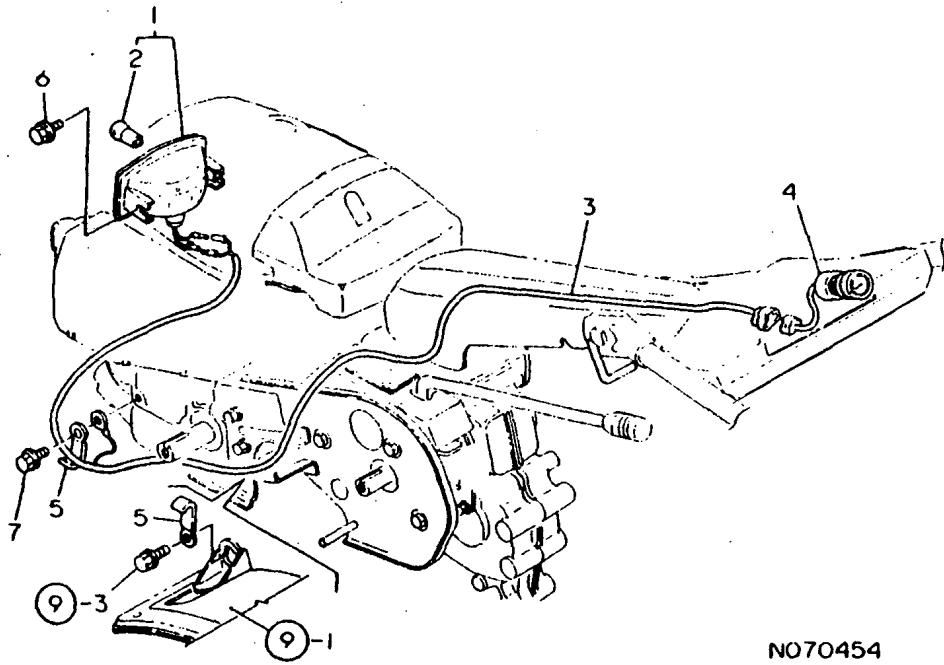


(A)=YK682
(B)=YK882
(C)=

(D)=
(E)=
(F)=

No.	Lev.	Parts No.	Description	Q'ty						I	R
				(A)	(B)	(C)	(D)	(E)	(F)		
1	1	1A2040-64100	MASK, FRONT	1	1						
2	1	1A2049-64200	COVER, REAR	1	1						
3	1	1A2000-64210	WASHER 6X19X1.0	1	1						
4	1	1A2000-64220	SCREW 6X16	1	1						
5	1	1E4320-99120	BOLT, M6X16 CRH	2	2						

Fig.16. ELECTRICAL PARTS



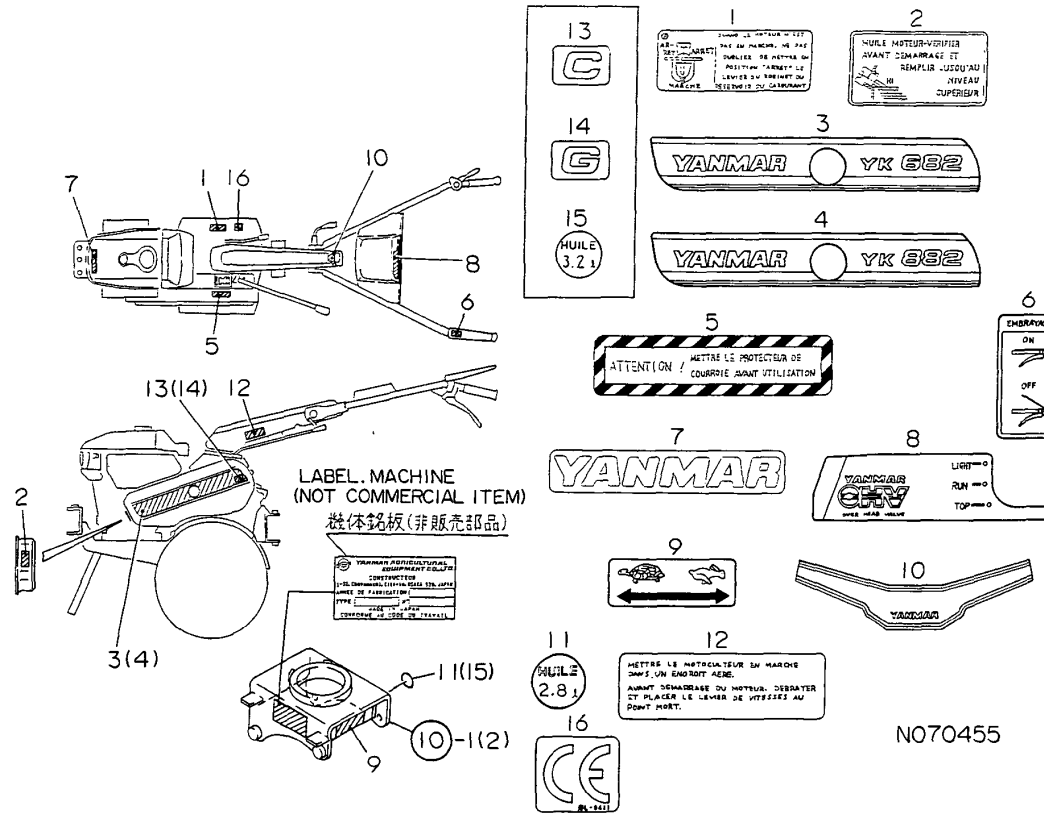
N070454

(A)=YK682
(B)=YK882
(C)=

(D)=
(E)=
(F)=

No.	Lev.	Parts No.	Description	Q'ty						I	R
				(A)	(B)	(C)	(D)	(E)	(F)		
1	1	1A2040-83100	LIGHT COMPL.	1	1						
2	2	1A2100-83180	BULB, 6V15W 15W	1	1						
3	1	1A2040-83201	CORD, SWITCH	1	1						
4	1	1A2040-83300	SWITCH, ENGINE	1	1						
5	1	1E6020-83890	CLIP	2	2						
6	1	26107-060122	BOLT M 6X 12 PLATED	2	2						
7	1	26107-080122	BOLT M 8X 12 PLATED	1	1						

Fig.17. LABELS



(A)=YK682
(B)=YK882
(C)=

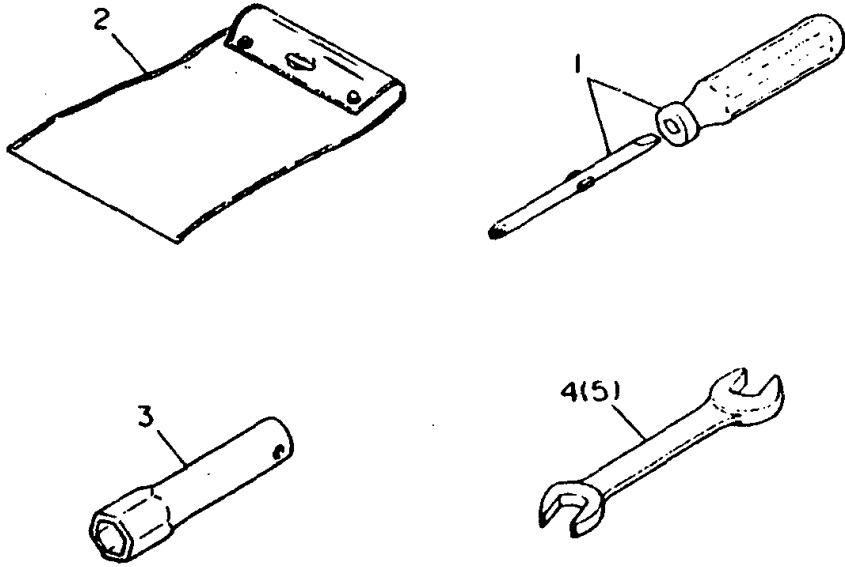
(D)=
(E)=
(F)=

No.	Lev.	Parts No.	Description	Q'ty						I	R
				(A)	(B)	(C)	(D)	(E)	(F)		
1	1	160602-07800	LABEL,FUEL COCK	1	1						
1-1	1	1A2099-86360	LABEL,FUEL COCK	1	1						N
		(A=F010036) (B=F010058)									
2	1	1A1750-83350	LABEL,ENGINE OIL	1	1						
2-1	1	1A2099-86820	LABEL,ENG.OIL,ITA	1	1						N
		(A=F010036) (B=F010058)									
3	1	1A2039-86111	MARK,BELT COVER		1						
4	1	1A2049-86111	MARK,BELT COVER		1						
5	1	1A2099-86200	LABEL,BELT CVR.SAFTY	1	1						
5-1	1	1A2099-86300	LABEL,CVR.SAFTY	1	1						N
5-2	1	1A2199-86840	MARK,BELT CVR.CAUT'N	1	1						N
		(A=F010336) (B=F030518)									
6	1	1A2009-86210	LABEL,MAIN CLUTCH	1	1						
6-1	1	1A2009-86340	LABEL,MAIN CLUTCH	1	1						N
		(A=F010036) (B=F010058)									
7	1	1A2130-86320	LABEL,FUEL TANK	1	1						
8	1	1A2049-86351	LABEL,HANDLE COVER	1	1						
9	1	1A2049-86360	MARK,SUB-CHANGE	1	1						
9-1	1	1A2049-86361	MARK,SUB-CHANGE	1	1						N
		(A=F010036) (B=F010058)									
10	1	1A2040-86470	LABEL,HANDLE	1	1						
11	1	1A2049-86700	LABEL "1.0",OIL	1	1						4
12	1	1A1107-88130	LABEL	1	1						
12-1	1	1A2099-86320	LABEL,CAUTION	1	1						N
		(A=F010036) (B=F010058)									
13	1	1A2019-86150	MARK "C"		1						1
14	1	1A2019-86170	MARK 'G'		1						2
15	1	1A2049-86710	LABEL,OIL 3.2L		1						3
16	1	1A6150-92250			1						W
		(B=F030423)									
16-1	1	1E1061-86610	MARK "CE"		1						N
		(B=F030463)									

Remarks

- (1)IT IS AN EXCLUSIVE PART FOR THE YK882C.
- (2)IT IS AN EXCLUSIVE PART FOR THE YK882G.
- (3)IT IS AN EXCLUSIVE PART FOR THE YK882C/YK882G.
- (4)IT IS NOT APPLICABLE TO THE YK882C/YK882G.

Fig.18. TOOLS



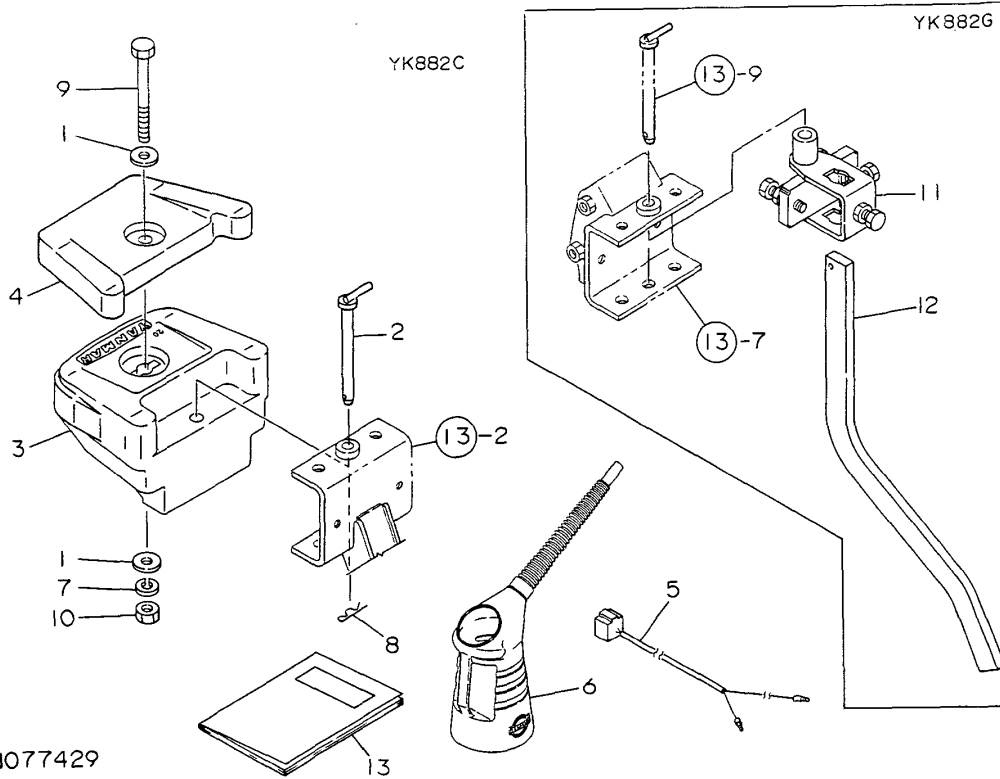
N070456

(A)=YK682
(B)=YK882
(C)=

(D)=
(E)=
(F)=

No.	Lev.	Parts No.	Description	Q'ty						I	R
				(A)	(B)	(C)	(D)	(E)	(F)		
1	1	1A1290-82050	SCREWDRIVER,COMBINAT	1	1						
2	1	1A1180-83000	BAG, TOOL	1	1						
3	1	160110-92700	WRENCH, 21 L140	1	1						
4	1	28110-100120	SPANNER, 10X12	1	1						
5	1	28110-140170	SPANNER, 14X17	1	1						

Fig.19. ACCESSORIES(ADD.ITEM)



(A)=YK682
(B)=YK882
(C)=

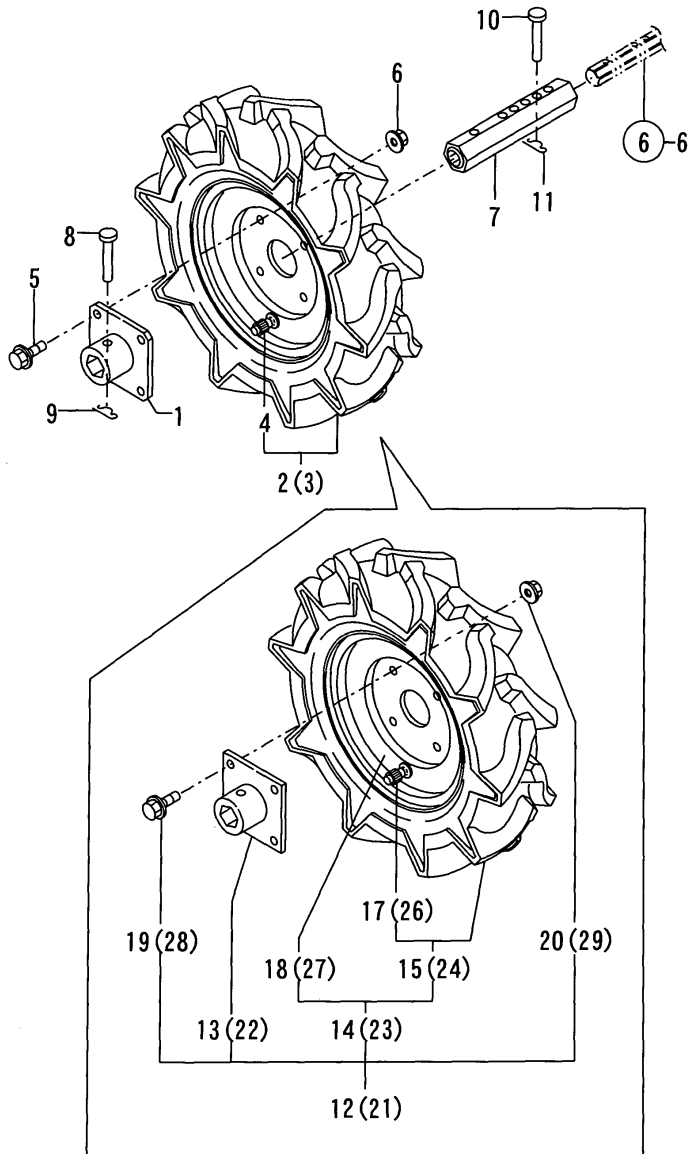
(D)=
(E)=
(F)=

No.	Lev.	Parts No.	Description	Q'ty						I	R
				(A)	(B)	(C)	(D)	(E)	(F)		
1	1	1E6150-73410 (B=F030005)	WASHER, 12X33X4.5		2						Z
2	1	1A1040-81100 (B=F030005)	PIN, HITCH		1						Z
3	1	1A2100-81200 (B=F030005)	WEIGHT, FRONT 20		1						Z
4	1	1A1120-81250 (B=F030005)	WEIGHT, FRONT 5		1						Z
5	1	1A1811-88100 (B=F030005)	HARNES,CHARGE		1						Z
6	1	7E4133-99290 (B=F030005)	JUG ASSY, OIL		1						Z
7	1	22217-120000 (B=F030005)	WASHER, SPRING 12		1						Z
8	1	22360-160000 (B=F030005)	PIN, SNAP 16		1						Z
9	1	26117-121302 (B=F030005)	BOLT M12X130 PLATED		1						Z
10	1	26717-120002 (B=F030005)	NUT, M12		1						Z
11	1	7S0070-15000	UNIVIR SAL HITCH		1						
12	1	1S0090-60000	BAR,RESISTANCE		1						
13	1	1A2049-88901 (B=F030523)			1						W

Fig.20. TIRE(ADD.ITEM)

(A)=YK682
(B)=YK882
(C)=

(D)=
(E)=
(F)=



N077430

No.	Lev.	Parts No.	Description	Q'ty						I	R
				(A)	(B)	(C)	(D)	(E)	(F)		
1	1	1A2049-30140	FLANGE COMP.,WHEEL		1						1
2	1	1A2040-31310	TIRE L W/WHEEL		1						1
3	1	1A2040-31360	TIRE W/WHEEL R		1						1
4	2	1A2040-31090	VALVE TR412		2						1
5	1	26107-080182	BOLT M 8X 18 PLATED		8						1
6	1	26367-080002	NUT, M8		8						1
7	1	1A1590-34350	AXLE, PIPE MADE		2						1
8	1	1E4030-35031	PIN, AXLE 10X59.5		2						1
9	1	1A1290-36010	PIN, SNAP 10		2						1
10	1	1A1400-36050	PIN 8X55,AXLE		2						1
11	1	22360-080000	SNAP PIN 8		2						1
11-1	1	1A2860-61460	SNAP PIN 8		2						N 1
(B=FXXXXX)											
12	1	1A2049-31300	TIRE L(FRANGE		1						1
13	2	1A2049-30141	FLANGE COMP.,WHEEL		1						1
14	2	1A2040-31310	TIRE L W/WHEEL		1						1
15	3	1A2040-31050	TIRE 4.00-8 W/O WHL.		1						1
17	4	1A2040-31090	VALVE TR412		1						1
18	3	1A2040-31100	WHEEL 4.00-8		1						1
19	2	26107-080182	BOLT M 8X 18 PLATED		4						1
20	2	26367-080002	NUT, M8		4						1
21	1	1A2049-31350	TIRE R(FRANGE		1						1
22	2	1A2049-30141	FLANGE COMP.,WHEEL		1						1
23	2	1A2040-31360	TIRE W/WHEEL R		1						1
24	3	1A2040-31050	TIRE 4.00-8 W/O WHL.		1						1
26	4	1A2040-31090	VALVE TR412		1						1
27	3	1A2040-31100	WHEEL 4.00-8		1						1
28	2	26107-080182	BOLT M 8X 18 PLATED		4						1
29	2	26367-080002	NUT, M8		4						1

Remarks

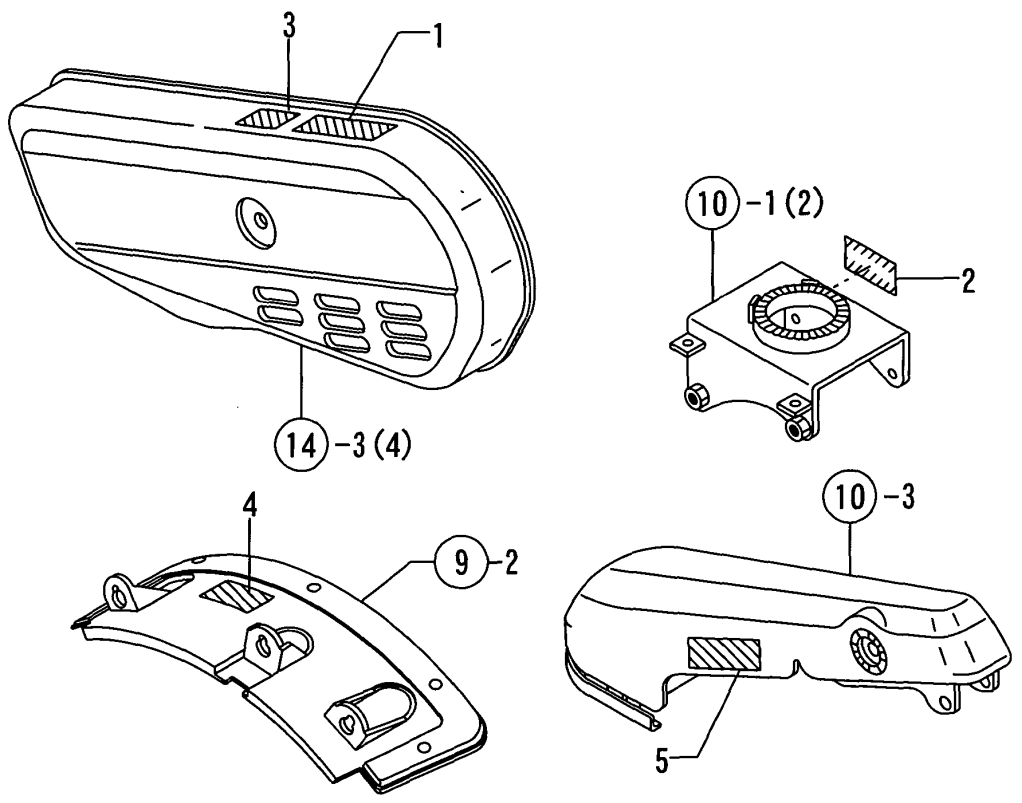
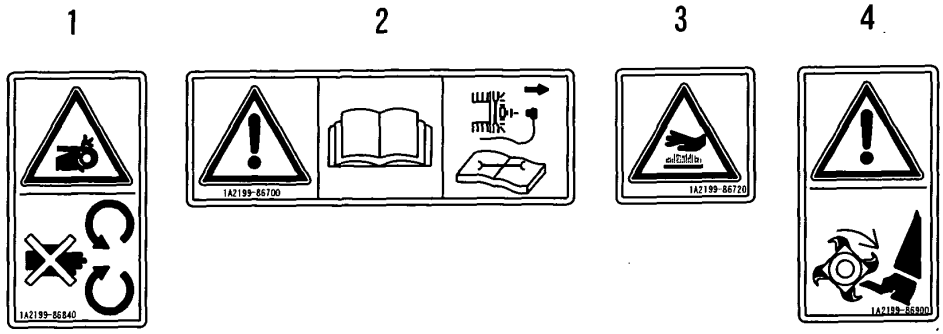
(1)IT IS AN EXCLUSIVE PART FOR THE YK882G.

Fig.21. LABEL (SAFETY (ADD.ITEM))

(A)=YK682
(B)=YK882
(C)=

(D)=
(E)=
(F)=

No.	Lev.	Parts No.	Description	Q'ty						I	R
				(A)	(B)	(C)	(D)	(E)	(F)		
1	1	1A2199-86840	MARK,BELT CVR.CAUT'N	1	1						
2	1	1A2199-86700	MARK,HANDLING CAUT'N	1	1						
3	1	1A2199-86720	MARK,HI-TEMP.CAUTION	1	1						
4	1	1A2199-86900	MARK,ROTARY CAUTION	1	1						
5	1	1A2099-86320	LABEL,CAUTION	1	1						



N129086

Parts No. Index

Parts No.	Fig. No.	Ref. No.
160110-92700	18	3
160602-07800	17	1
192040-56220	11	6
1A1040-43900	1	9
1A1040-81100	13	9
	19	2
1A1070-28160	3	9
1A1104-28230	7	7
		15
1A1104-56030	12	21
1A1105-16001	13	13
1A1105-23200	5	2
1A1105-24490	8	3
1A1105-27050	7	6
1A1105-57151	12	22
1A1107-88130	17	12
1A1120-43600	4	17
1A1120-62060	13	15
1A1120-81250	19	4
1A1180-83000	18	2
1A1220-28290	3	10
1A1220-64200	2	8
1A1290-36010	20	9
1A1290-82050	18	1
1A1400-36050	20	10
1A1470-10040	2	2
1A1470-20090	3	4
1A1470-20530	6	1
1A1470-20560	6	2
1A1470-20570	6	3
1A1470-20580	6	4
1A1470-20620	3	6
1A1470-20832	7	1
1A1470-20842	7	2
1A1470-20940	3	7
1A1470-50200	12	1
1A1479-55790	12	16
1A1490-20050	3	2
1A1490-20070	3	3
1A1490-20180	4	1
1A1490-20191	4	2
1A1490-20201	4	14
1A1490-20210	4	15
1A1490-20310	5	1
1A1490-20590	6	5
1A1490-20610	3	5
1A1490-20751	8	1
1A1490-20761	8	2
1A1490-20853	7	3
1A1490-20883	7	4

Parts No.	Fig. No.	Ref. No.
1A1490-20950	7	5
1A1490-20960	7	13
1A1490-50310	12	3
1A1490-50340	12	4
1A1499-23000	4	3
1A1510-10000	2	1
1A1510-20221	4	16
1A1510-20222	4	16 -1
1A1560-20001	3	1
1A1560-20002	3	1 -1
1A1560-20011	3	8
1A1560-20012	3	8 -1
1A1560-24200	5	12
1A1580-26030	8	4
1A1580-26040	8	5
1A1590-34350	20	7
1A1750-83350	17	2
1A1750-90050	10	16
1A1750-90110	10	17
1A1810-10401	14	1
1A1811-23600	5	4
1A1811-23620	5	5
1A1811-23630	5	6
1A1811-23640	5	7
1A1811-23641	5	7 -1
1A1811-23642	5	7 -2
1A1811-27250	8	7
1A1811-27300	8	8
1A1811-55700	12	19
1A1811-88100	19	5
1A1822-51850	11	4
1A2000-51400	11	1
1A2000-51430	11	2
1A2000-51450	10	12
1A2000-55160	12	11
1A2000-62300	14	9
1A2000-64210	15	3
1A2000-64220	15	4
1A2009-55400	12	14
1A2009-86210	17	6
1A2009-86340	17	6 -1
1A2019-86150	17	13
1A2019-86170	17	14
1A2020-83330	14	13
1A2030-12000	1	6
1A2030-55050	12	6
1A2030-61000	13	1
1A2030-62000	14	3
1A2030-62101	14	5
1A2030-62150	14	7

Parts No.	Fig. No.	Ref. No.
1A2030-62500	14	12
1A2030-62501	14	12 -1
1A2031-55050	12	6 -1
1A2039-86111	17	3
1A2040-12000	1	7
1A2040-13000	2	6
1A2040-13010	2	7
1A2040-13100	2	10
1A2040-13250	14	2
1A2040-23010	4	4
1A2040-23011	4	4 -1
1A2040-23030	4	5
1A2040-23050	4	6
1A2040-23060	4	7
1A2040-23210	5	3
1A2040-31050	20	15
		24
1A2040-31090	20	4
		17
		26
1A2040-31100	20	18
		27
1A2040-31310	20	2
		14
1A2040-31360	20	3
		23
1A2040-32100-1	9	1
1A2040-51190	10	4
1A2040-51250	10	5
1A2040-51280	10	6
1A2040-51310	10	7
1A2040-51320	10	8
1A2040-51330	10	9
1A2040-51340	10	10
1A2040-51350	10	11
1A2040-51800	10	13
1A2040-51870	11	5
1A2040-51900	10	14
1A2040-54251	12	15
1A2040-55050	12	7
1A2040-55101	12	8
1A2040-55120	12	9
1A2040-55121	12	9 -1
1A2040-55150	12	10
1A2040-55200	12	12
1A2040-55201	12	12 -1
1A2040-55350	12	13
1A2040-61000	13	2
1A2040-61401-1	13	7
1A2040-61450	13	8

Parts No.	Fig. No.	Ref. No.
1A2040-62000	14	4
1A2040-62101	14	6
1A2040-62150	14	8
1A2040-62300	14	10
1A2040-62400	14	11
1A2040-64100	15	1
1A2040-83100	16	1
1A2040-83201	16	3
1A2040-83300	16	4
1A2040-86470	17	10
1A2040-90100	11	8
1A2041-12010	1	12 -1
1A2049-20400	5	11
1A2049-24000	6	6
1A2049-27100	7	14
1A2049-27101	7	14 -1
1A2049-30140	20	1
1A2049-30141	20	13
		22
1A2049-31300	20	12
1A2049-31350	20	21
1A2049-51500	11	3
1A2049-55250	12	2
1A2049-55700	12	20
1A2049-55701	12	20 -1
1A2049-57430	12	18
1A2049-61400	13	7 -1
1A2049-61700	13	9 -1
1A2049-64200	15	2
1A2049-86111	17	4
1A2049-86351	17	8
1A2049-86360	17	9
1A2049-86361	17	9 -1
1A2049-86700	17	11
1A2049-86710	17	15
1A2049-88901	19	13
1A2050-24500	8	3 -1
1A2050-55050	12	7 -1
1A2060-61501	13	14
1A2099-86200	17	5
1A2099-86300	17	5 -1
1A2099-86320	17	12 -1
		21
		5
1A2099-86360	17	1 -1
1A2099-86820	17	2 -1
1A2100-81200	19	3
1A2100-83180	16	2
1A2130-86320	17	7
1A2199-86700	21	2
1A2199-86720	21	3

Parts No. Index

Parts No.	Fig. No.	Ref. No.
1A2199-86840	17	5 -2
	21	1
1A2199-86900	21	4
1A2860-61450	13	11 -1
1A2860-61460	20	11 -1
1A6150-92250	17	16
1E1061-86610	17	16 -1
1E4030-35031	20	8
1E4070-79020	2	3
1E4150-16060	1	1
1E4320-99120	15	5
1E4440-26200	8	6
1E6020-25340	1	9 -1
1E6020-83890	16	5
1E6050-63110	1	1 -1
1E6102-84970	12	24
1E6150-56040	7	8
		16
1E6150-73410	19	1
1E6310-36190	1	8
1E6570-65751	10	15
	11	7
	12	23
1E6570-65761	12	36
1S0090-60000	19	12
22117-120000	2	11
22137-060000	12	25
		37
		38
22137-080000	1	2
	12	26
	13	16
22137-100000	1	2 -1
	14	14
22137-120000	11	9
	12	27
22217-060000	7	9
22217-080000	1	3
	3	11
		12
	14	15
22217-100000	1	3 -1
	14	16
22217-120000	11	10
	13	3
		10
	19	7
22242-000120	2	12
22242-000150	2	9
22242-000200	4	8

Parts No.	Fig. No.	Ref. No.
22360-060000	12	39
22360-080000	20	11
22360-160000	13	11
	19	8
22417-160100	12	28
22417-200120	8	9
	12	29
22417-200150	12	30
22417-200180	12	31
	13	17
22487-080400	12	32
22512-050300	1	10
	2	3 -1
22512-070380	1	11
22550-050201	4	19
22857-400080	12	33
23061-070015	10	18
23414-060000	3	13
23414-080000	3	14
24101-062034	4	18
24101-062044	4	9
24101-062064	6	7
24101-063024	5	8
24101-063034	4	10
	5	9
24101-063044	5	13
24163-205265	4	11
24190-070001	5	10
24190-100001	6	8
	7	10
		17
24311-000100	8	10
24421-173208	4	12
24421-203508	4	13
25122-004201	1	12
26013-080164	14	17
26013-080202	1	13
	2	4
26016-060122	12	34
26016-060124	2	5
26016-080124	14	18
26018-080164	14	19
26107-060122	3	15
	16	6
26107-080122	3	16
	9	3
	12	35
	16	7
26107-080162	3	17
	14	20

Parts No.	Fig. No.	Ref. No.
26107-080162	14	21
		22
26107-080182	20	5
		19
		28
26107-080302	3	18
26107-080502	3	19
26107-080702	10	19
26107-080802	3	20
26107-080852	14	23
26116-080402	1	4
26116-080452	3	21
26116-101302	10	20
26116-101502	10	21
26116-120602	13	4
26116-121002	13	12
26117-060142	7	11
26117-120252	13	5
26117-121302	19	9
26206-100452	1	4 -1
26367-080002	3	22
	8	11
	10	22
	20	6
		20
		29
26476-060142	7	12
		18
	8	12
26717-080002	1	5
	3	23
26717-100002	1	5 -1
	14	24
26717-120002	19	10
26757-120002	13	6
28110-100120	18	4
28110-140170	18	5
7A2039-51000	10	1
7A2039-62000	14	3 -1
7A2049-32110	9	2
7A2049-51000	10	2
7A2049-51100	10	3
7A2049-62000	14	4 -1
7C6220-52840	12	5
7C6220-52910	12	17
7E4133-99290	19	6
7S0070-15000	19	11

Parts No.	Fig. No.	Ref. No.
-----------	----------	----------